

MAGNETIC TRIMLESS TRACK

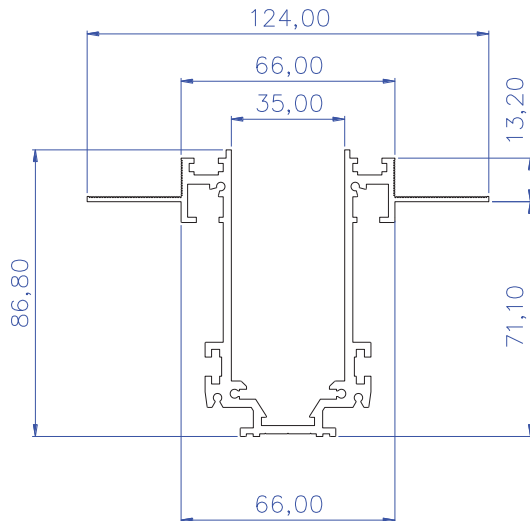
TECHNICAL SHEET
DV-TRM-120100/120200



KEYLIGHT

SPAIN
PRODUCTOS DE ILUMINACION

DRAWING



SPECIFICATIONS

Product Code	DV-TRM-120100	DV-TRM-120200
Input Current	48VDC	
Driver	Keylight 48V	
Lamp holder	Soft Fiber PCB	
Main Material	Aluminum	
Finishing	Black	
Installation	Trimless	
IP Rating	IP20	
Dimensions	124mm*86.8mm*1000mm	120mm*86.8mm*2000mm
Warranty	5 Years	